



## SERVICE NOTE

**Date :** 08 April 2013

**Subject :**

- Modification of the rear APR rings and keel tube.

**Concerned Aircraft:**

- All BioniX and NuviX

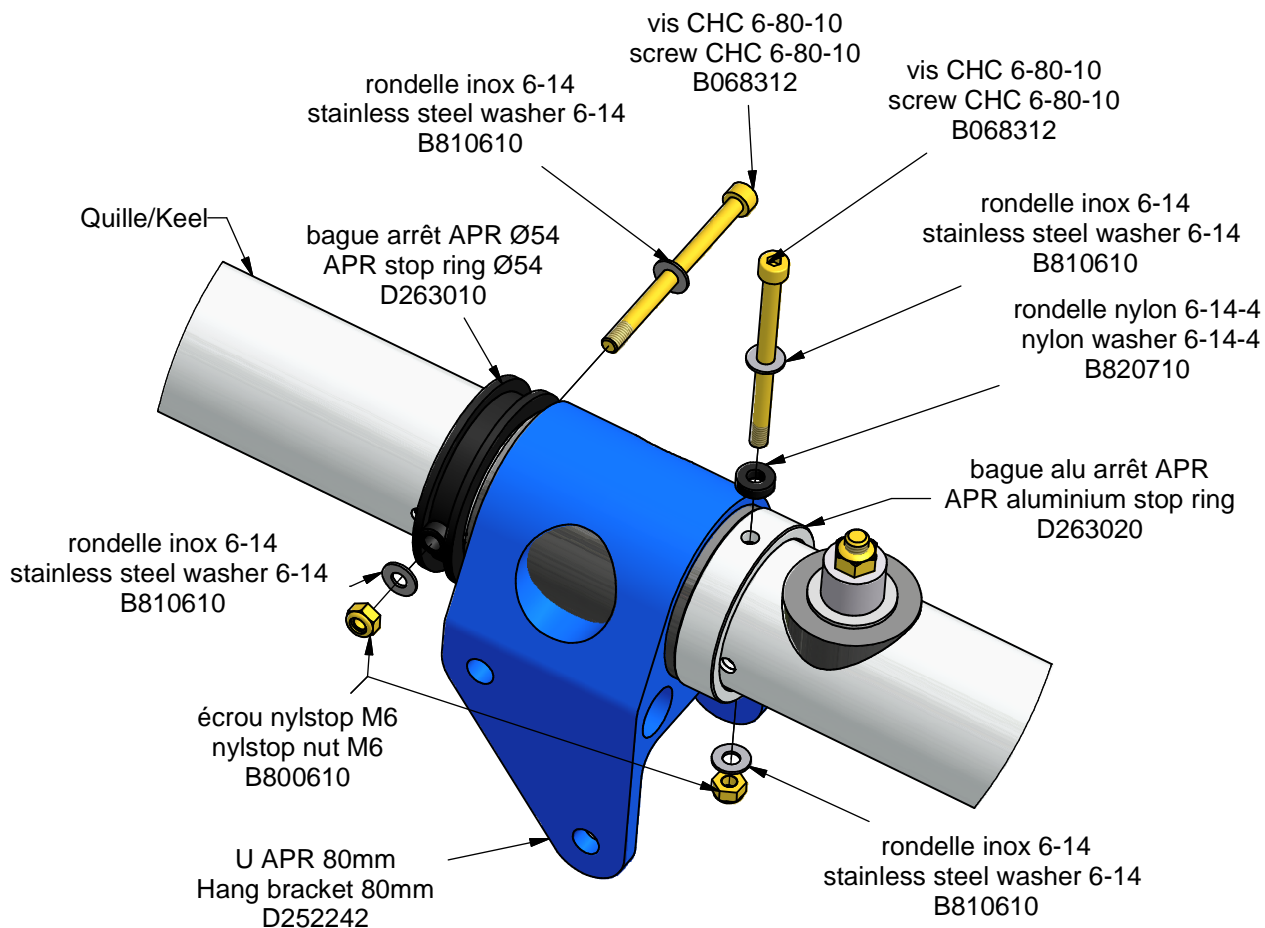
**Modifications effected:**

- The rear APR rings of nylon fibers are replaced by aluminium ones on all NuviX, BioniX 13 and 15.
- The drilled Ø6 hole that secures the rear ring in the central position on the keel is henceforth tuned at 90° from the other positions. With the APR in standard middle position, the screws of the rear locking ring is thus perpendicular to the one of the front ring. The screws used are identical on the 2 rings but different from the front assembly (see drawing of the new assembly).

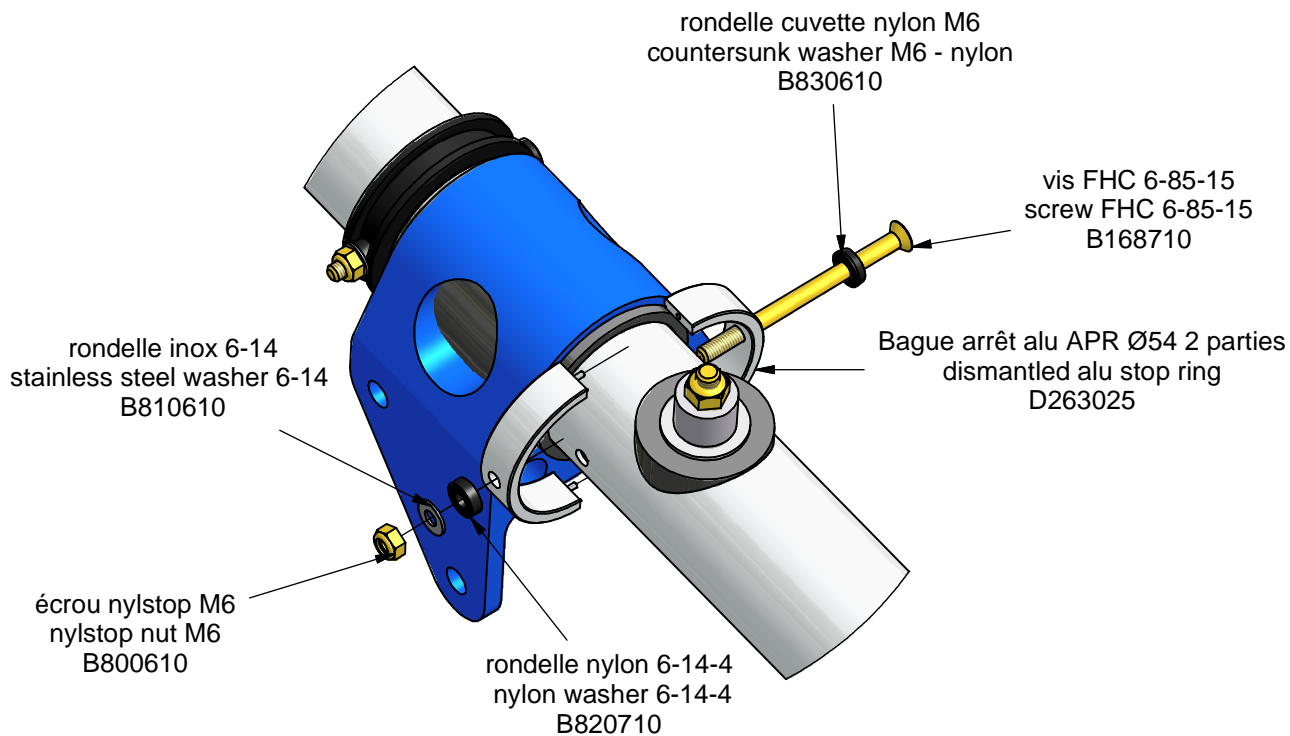
**Inspection and action to be taken:**

- For wings in service, it is recommended to replace the rear ring by the model in aluminium. We provide for this purpose an aluminium ring in two parts that allows for the installation without dismounting the keel.  
The replacement procedure is as follows: remove the push-pin from the swan neck of the front lower longitudinal cables at the nose of the wing to slacken these cables.
- Unscrew the screw that secures the front ring and slide the latter as well as the APR towards the nose of the wing. Once the front ring is no longer in contact with the APR, remove the screw that maintains the rear ring and using cutters section the nylon ring at the level of its securing holes in order to detach it from the keel. Put the new aluminium 2-part ring in place respecting the direction of the assembly, then push back the APR against it and reassemble the front ring. Retention the front lower longitudinal cables at the nose of the wing. (see drawing of the modified assembly for wing in service).
- During the 300 hour overhaul, the replacement of the rear rings by the aluminium model is mandatory, if it has not yet been done.

## Nouveau montage/New assembling



## Modification sur aile en service/ Modification of a wing in use



**air creation**

07200 AUBENAS

Bague arrêt APR/Hang bracket stop ring

dessiné par :Stephane CHAUSSE  
Tel : 04 75 93 66 66

Matière :

n° de pièce :

Technical  
informations

Traitement :

Indice :

A

08/04/2013