

INFORMATION NOTE

Date: October 10, 2018

Subject:

- Addition of a rear longitudinal upper cable on the wing iFUN 13 SP

Models concerned:

- All wings iFUN 13 SP

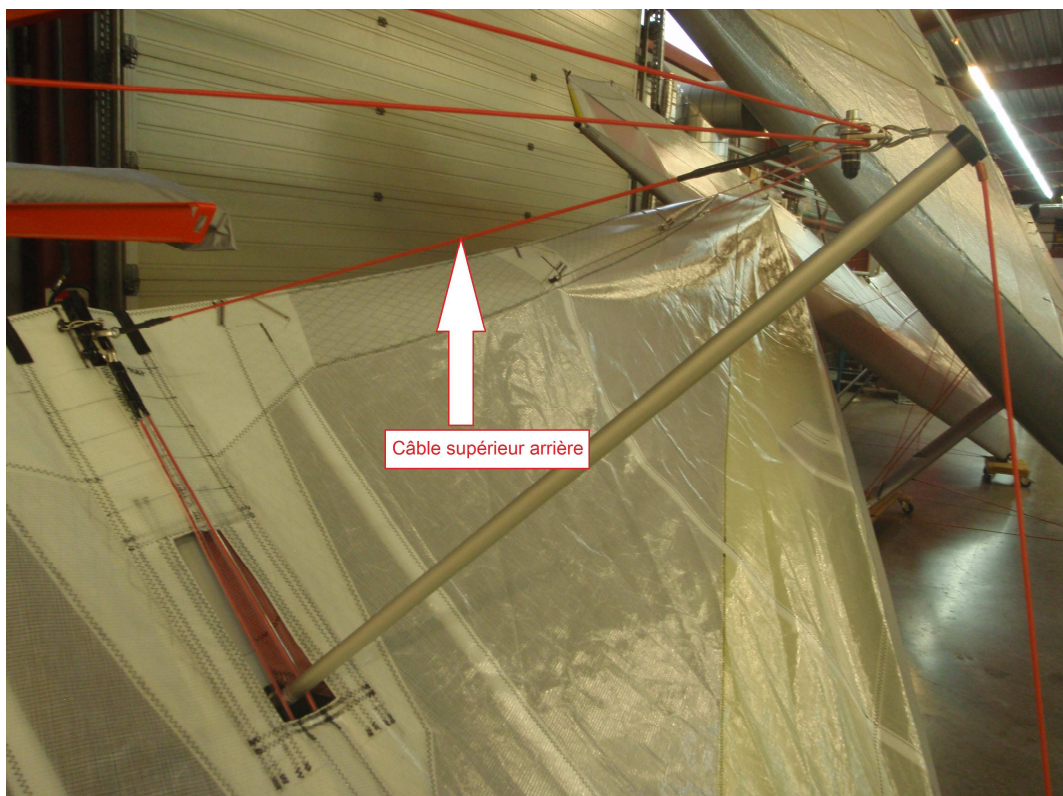
Action to be carried out:

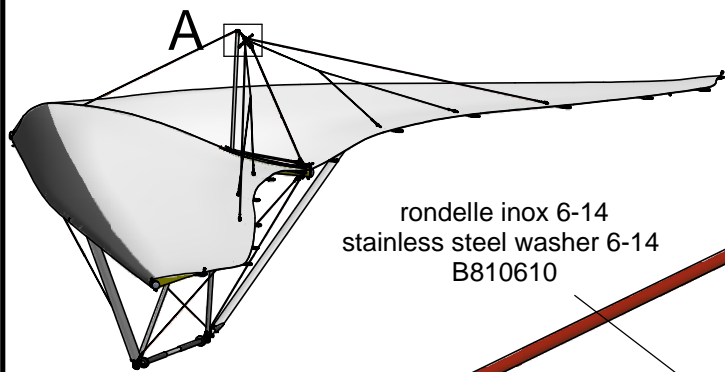
- Recent tests have shown that the negative G loads on the keel associated with the use of the rear lower cables balancing tab require the installation of a rear upper cable (D205730). This cable must connect the kingpost head to the cross bars tensioning swan catch lever at the end of the keel to better take the negative G loads.

It is imperative to install this cable which does not change the behavior or use of the wing.

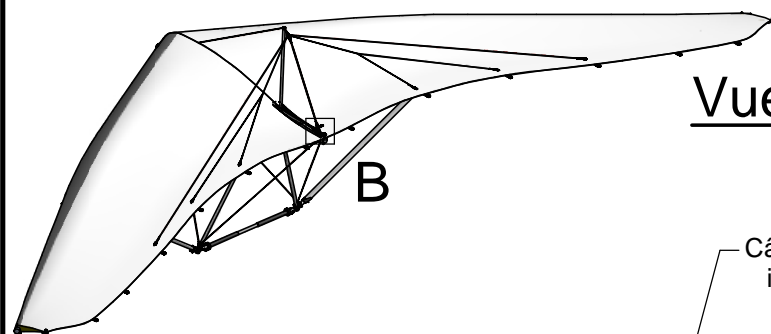
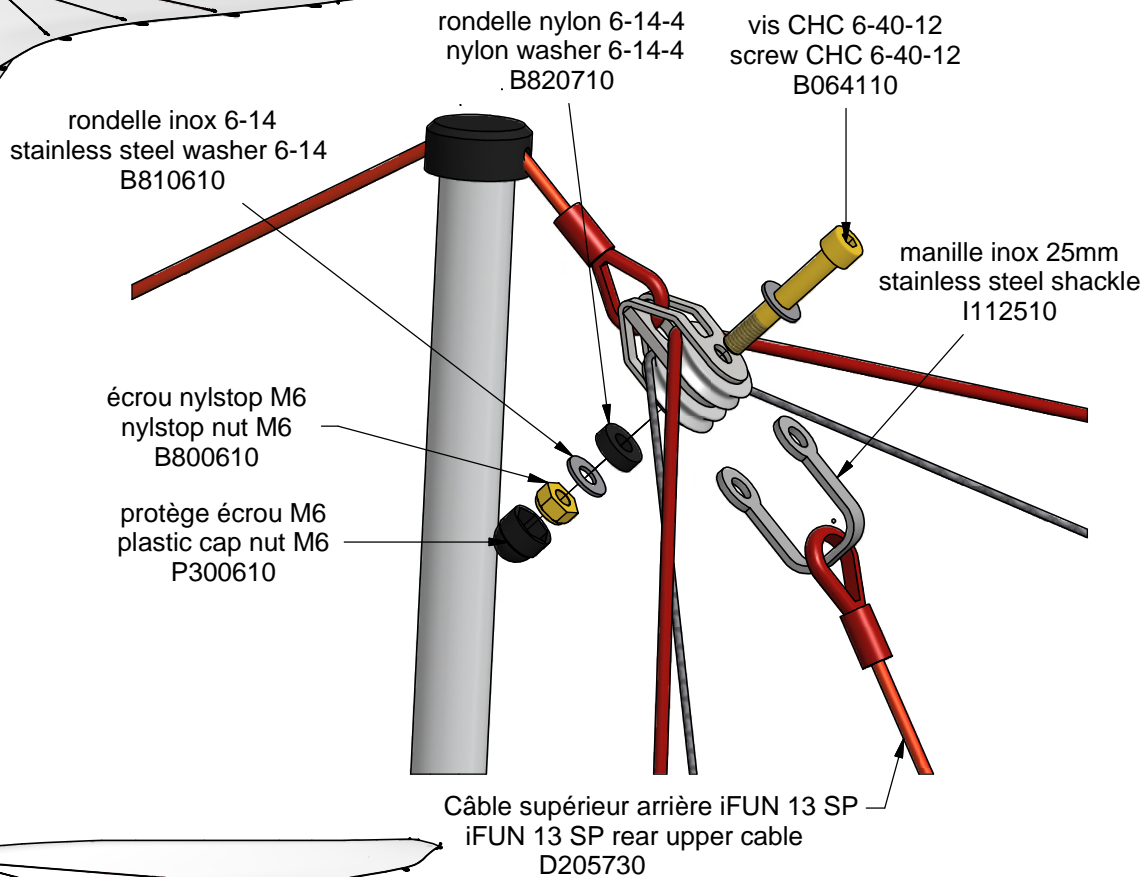
A complete kit including cable and fitting hardware will be provided free of charge.

Do not hesitate to contact our technical services if you are not sure about the installation procedure.

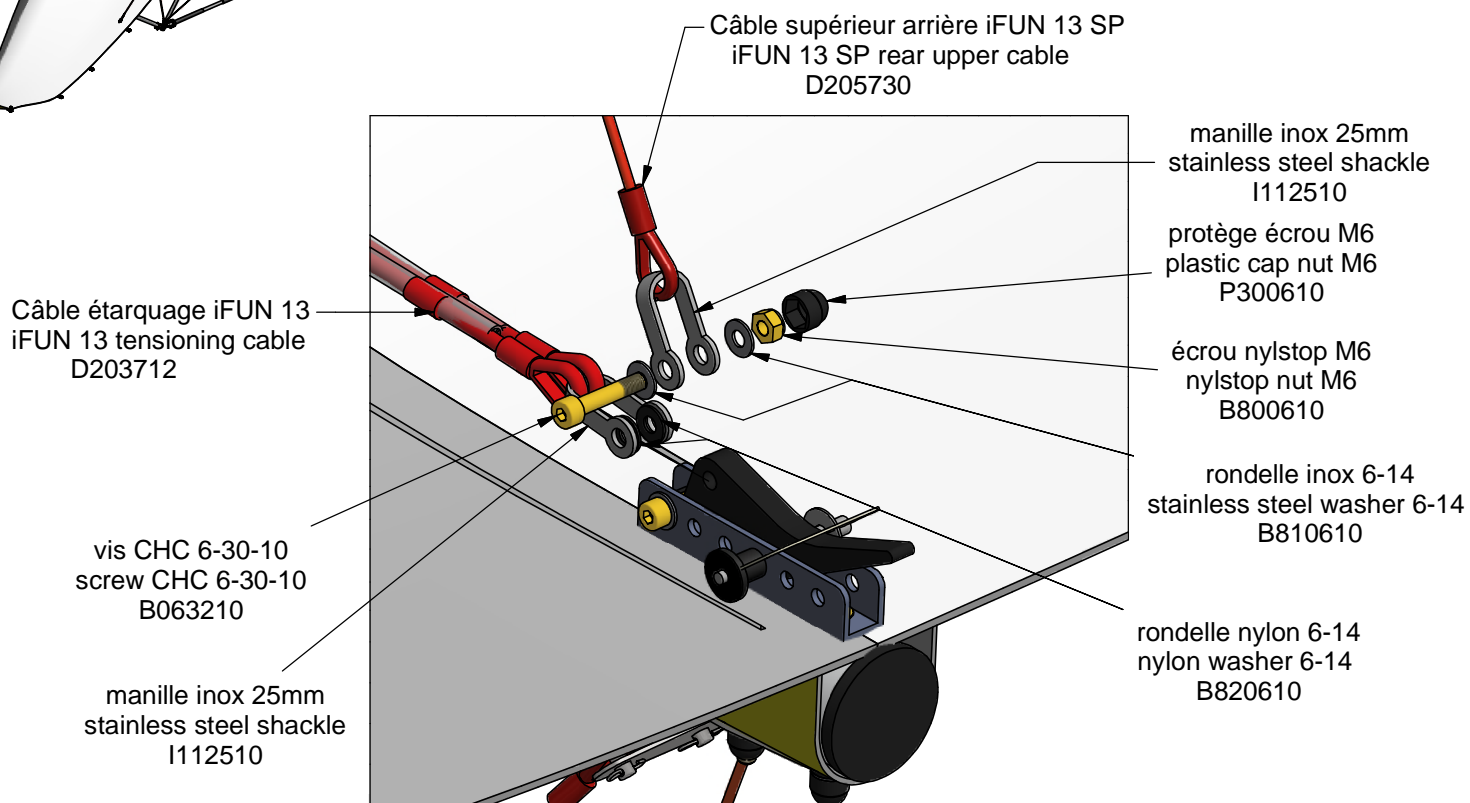




Vue/view A



Vue/view B



air creation

07200 AUBENAS

iFUN 13 SP: Ass. câble supérieur arrière
Rear upper cable assembly

dessiné par :stephane chausse
 Tel : 04 75 93 66 66

Matière :

n° de pièce :

Traitement :

Indice :

A

10/10/2018